



## M-110/220 Metallurgical Microscope



L.W.D Metallurgical Objective



200mmX140mm Stage

1. Analyzer
2. Polarizer
3. Five-hole turret filter unit
4. Aperture diaphragm
5. 30W illuminator



## M-110/220 Metallurgical Microscope Outfits

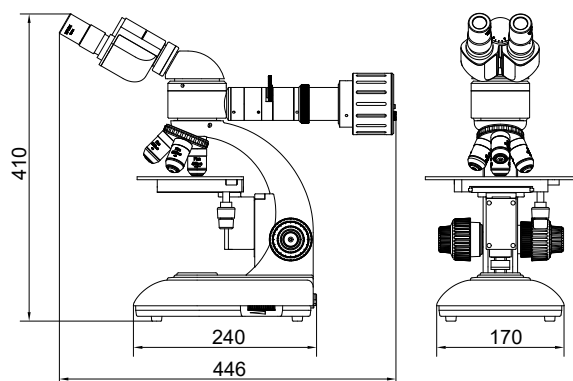
Items	Specification	M-110	LMM-220
Eyepiece	WF10×-18mm	●	●
	Reticule Eyepiece WF 10×-18 mm (0.1mm)	●	●
Long Working Distance Infinity Plan Objective (no cover glass)	LPL 5×/0.13 W.D=16.04mm	●	●
	LPL 10×/0.25 W.D=18.48mm	●	●
	LPL 20×/0.4 W.D=8.35mm	○	○
	LPL 50×/0.7 W.D=1.95mm	●	●
	LPL 80×/0.8 W.D=0.85mm	○	○
	LPL 100×/0.9(干式) W.D=1.10mm	○	○
Seidentopf Binocular Head	Inclined 30°,Rotatable 360°, Interpupillary Distance: 48 -75mm	●	●
Seidentopf Trinocular Head	Inclined 30°,Rotatable 360°, Interpupillary Distance: 48 -75mm Light Distribution 80:20	○	○
Nosepiece	Quadplex	●	●
Mechanical Stage	Stage Size: 200×150mm, Travel : 76mm×52mm Coaxial Coarse and Fine Focusing Knobs	●	●
Reflection Illumination	6V/20W Halogen Lamp	●	
	6V/30W Halogen Lamp		●
Filter	Five-hole filter unit(blue, green, amber, grey, empty)	●	●
Polarizing Attachment	Analyzer/ Polarizer	○	○
C-mount	1×	○	○
	0.5X (Focus Adjustable)	○	○

Note: "●" In Table Is Standard outfits, "○" Is Optional Accessories.

M-110 Packing Size: 565mm×310mm×410mm Gross Weight: 9 kgs Net Weight: 6 kgs

M-220 Packing Size: 570mm×275mm×450mm Gross Weight: 10.5 kgs Net Weight: 8 kgs

M-110 Metallurgical Microscope Size (mm)



M-220 Metallurgical Microscope Size (mm)

