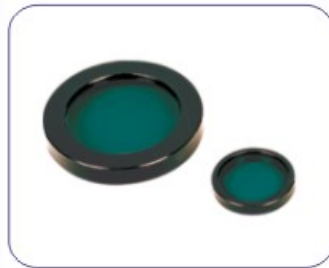


Wide Range Of Accessories



Simple Polarization Filter



Turret Phase Contrast Kit

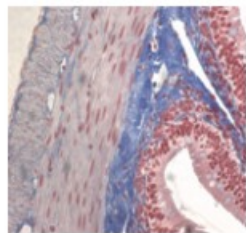


Dry, Oil Dark Field Condenser

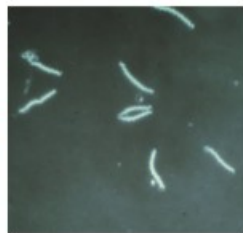


Epi-fluorescent Attachment

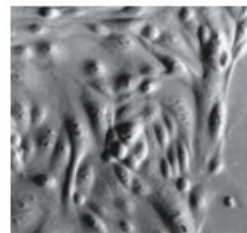
Sample Images



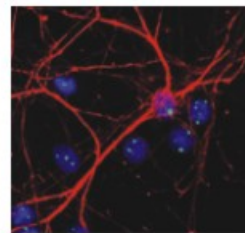
Bright Field



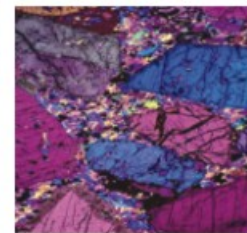
Dark Field



Phase Contrast

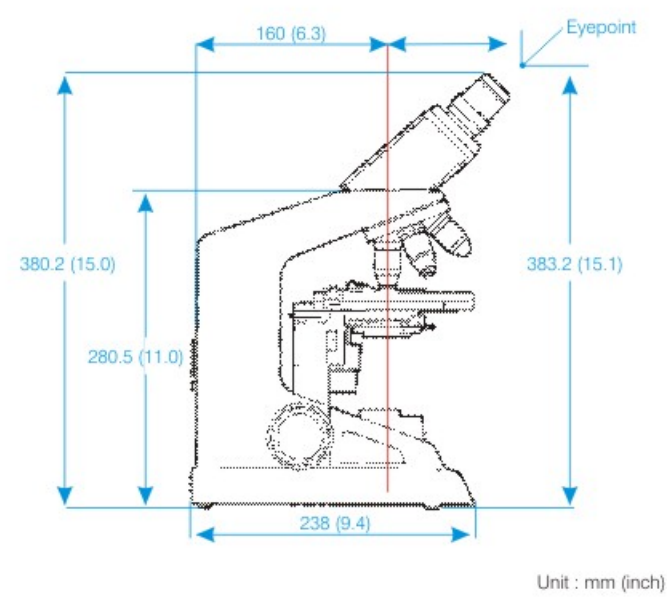
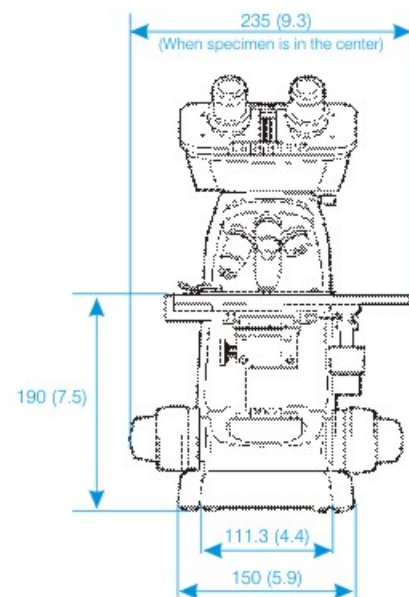


EPI-Fluorescence



Polarizing

Dimensional Diagrams



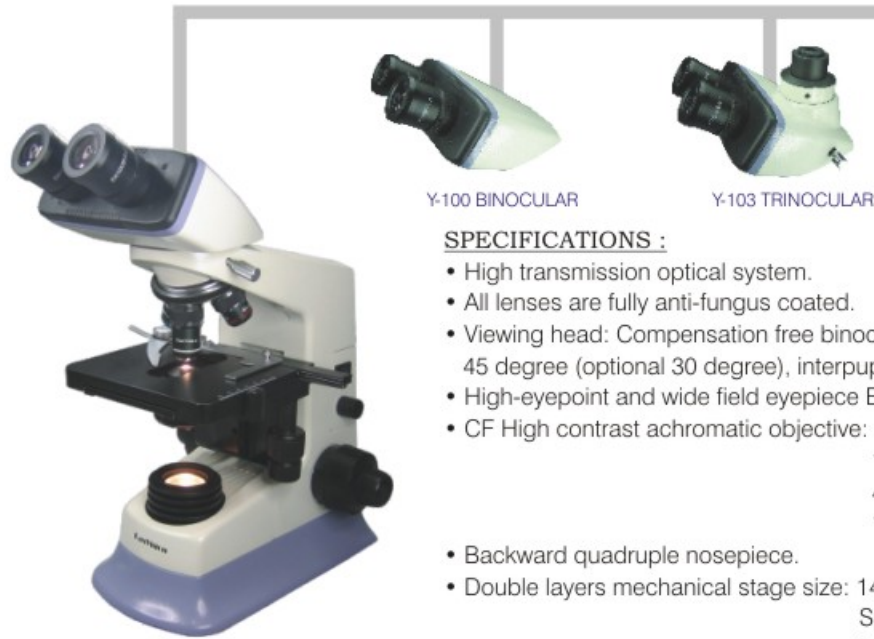
Y-100 Series
MICROBIOLOGICAL MICROSCOPE



Y-100

Y-100 DCA

The **Y-100 BIOLOGICAL MICROSCOPE** features ingenious stand, backward or optional forward nosepiece and flexible setup. It can be suitably used in biological, pathological, bacterial, histological, immune and genetic fields.



Viewing head : 45° binocular head or trinocular head with C-mount/Photo port.
 Eyepiece : EW10X20, wide field, high-eyepoint eyepiece

Y-100 BINOCULAR

Y-103 TRINOCULAR

SPECIFICATIONS :

- High transmission optical system.
- All lenses are fully anti-fungus coated.
- Viewing head: Compensation free binocular head, inclined at 45 degree (optional 30 degree), interpupillary distance 55-75mm.
- High-eyepoint and wide field eyepiece EW10X/20.
- CF High contrast achromatic objective: 4X / N.A. 0.10 / W.D.20mm
 10X / N.A. 0.25 / W.D. 7.5mm
 40X(s) / N.A. 0.65 / W.D. 0.6mm
 100X(s) oil / N.A. 1.25 /W.D. 0.14mm
- Backward quadruple nosepiece.
- Double layers mechanical stage size: 142(W) x 133(D) mm
 Specimen holder: Double slide holder;
 Movement range: 80(X) / 45(Y) mm
- Coaxial coarse and fine focus adjustment system, range 23mm, fine division 0.002mm.
- N.A.1.25 abbe condenser with iris diaphragm and filter, rack and pinion adjustment.
- Halogen lamp 6V/30W, brightness adjustable.

Y-100DCA DIGITAL BIOLOGICAL MICROSCOPE

Featuring economy, practicality and facility, the microscope is widely used in academic, agricultural and sanitary fields.

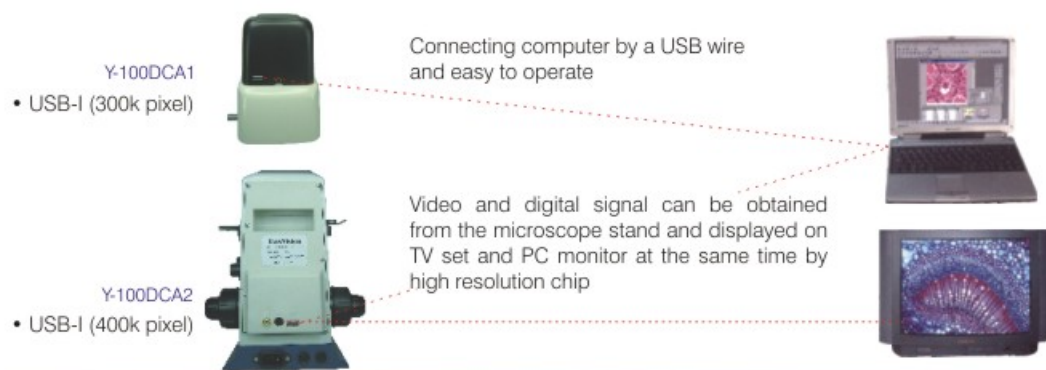


SPECIFICATIONS :

- High transmission optical system.
- All lenses are fully anti-fungus coated.
- Viewing Head : Compensation free microscope head.
- Ergonomic viewing head of inclined at 30°.
- Interpupillary distance 55-75mm.
- Eyepiece : High-eyepoint and wide field eyepiece EW 10X/20.
- CF High contrast achromatic objective: 4X / N.A. 0.10 / W.D.20mm
 10X / N.A. 0.25 / W.D. 7.5mm
 40X(s) / N.A. 0.65 / W.D. 0.6mm
 100X(s) oil / N.A. 1.25 /W.D. 0.14mm
- Nosepiece : Backward Quadruple Nosepiece.
- Safe and ergonomic design. Able to change bulb from front side.
- Double layers mechanical stage size: 142(W) x 133(D) mm
 Specimen holder: Double slide holder;
 Movement range: 80(X) / 45(Y) mm
- Focusing : Coaxial coarse & fine focus adjustment system. Range 23mm, Fine division 0.002mm.
- Illumination : Halogen lamp 6V/30W, brightness adjustable.
- N.A. 1.25 Abbe Condenser with Iris Diaphragm and filter, rack and pinion adjustment.
- Image outputs : Y-100 DCA 1 : USB-1. Y-100 DCA 2: USB-1, RCA, S-video.
- Software : Micro-image process software.

OPTIONALS :

- | | | |
|--|------------------------------|--|
| 1. Compensation free trinocular head | 5. Turret phase contrast kit | 9. LED optical point system |
| 2. UIS universal infinity corrected system | 6. EPI-fluorescent kit | 10. Kohler illumination |
| 3. Plan achromatic objective | 7. Polarization filter | 11. A wide range of accessories to be equipped with this microscope for multi-purpose. |
| 4. Dry, oil dark field condenser | 8. Quintuple nosepiece | |



Connecting computer by a USB wire and easy to operate

Video and digital signal can be obtained from the microscope stand and displayed on TV set and PC monitor at the same time by high resolution chip

Y-100S LED RESEARCH BIOLOGICAL MICROSCOPE

The advanced microscope is suitably used in clinic and research fields.



SPECIFICATIONS :

- UIS plan achromatic optical system.
- All lenses are fully anti-fungus coated
- Viewing Head : Compensation Free Binocular head. Inclined at 30°.
- Wide range interpupillary distance : 48-75mm
- Eyepiece : High point and wide field eyepiece EW 10X/20
- CF High contrast achromatic objective: 4X / N.A. 0.10 / W.D.20mm
 10X / N.A. 0.25 / W.D. 7.5mm
 40X(s) / N.A. 0.65 / W.D. 0.6mm
 100X(s) oil / N.A. 1.25 /W.D. 0.14mm
- Nosepiece : Backward Quadruple Nosepiece
- Double layers mechanical stage size: 185(W) x 142(D) mm
 Specimen holder: Double slide holder;
 Movement range: 75(X) / 50(Y) mm
- Focusing : Coaxial coarse & fine focus adjustment system.
 Range 23mm, Fine division 0.002mm
- N.A. 1.25 Abbe Condenser with Iris Diaphragm and filter, rack and pinion adjustment
- Led Illumination : Super bright LED with colour of warm white 3100 - 3900k, Long life of minimum 10,000 hours allows minimum bulb replacement. Battery operation time after changed, minimum 50 hours, suitable for site Operation and portability to venue with out electrical power supply.

Parts and Features



- High transmission anti-fungus optical system
- Anti-mould treated eyepiece lens
- Super wide eyepiece FN 20mm
- Backward nosepiece allowing more space for replacing the slides.
- Preventing steam of breathe from affecting observation
- Combined base and arm, makes the scope more stable
- Ergonomic handling position
- Large size and wide movement of double layer mechanical stage
- More comfortable operation with low position CA and FA knob.
- Low stage control and narrow base
- 6V 30W Even illumination with modern design.
- Kohler illumination can be adapted
- Lamp replacement compartment
- Easy lamp replacement from top position