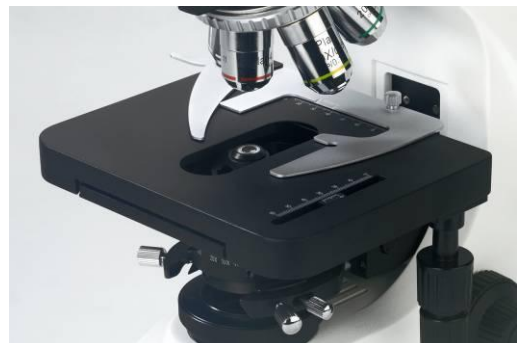




B-550 Series Biological Microscope

- Wide field eyepiece, view field up to $\Phi 22\text{mm}$, more comfortable for observation
- Trinocular observing tube with dual transform
Light distribution (both): 100 : 0 (100% for eyepiece)
80 : 20 (80% for trinocular head and 20% for eyepiece)
- Integrated stage is safer than traditional stage





B-550 Biological Microscope

- Quintuple turret phase contrast unit with 10X/20X/40X/100X infinity plan phase contrast objective for phase contrast and bright field observation.



- N.A.0.9/0.13 Swing-out Condenser
- Dark field condenser (dry) available to 4X-40X Objective
- Dark field condenser (wet) available to 100X Objective
- Infinity Plan Objectives





B-550F Fluorescence Microscope



B-550FLED LED Fluorescence Microscope

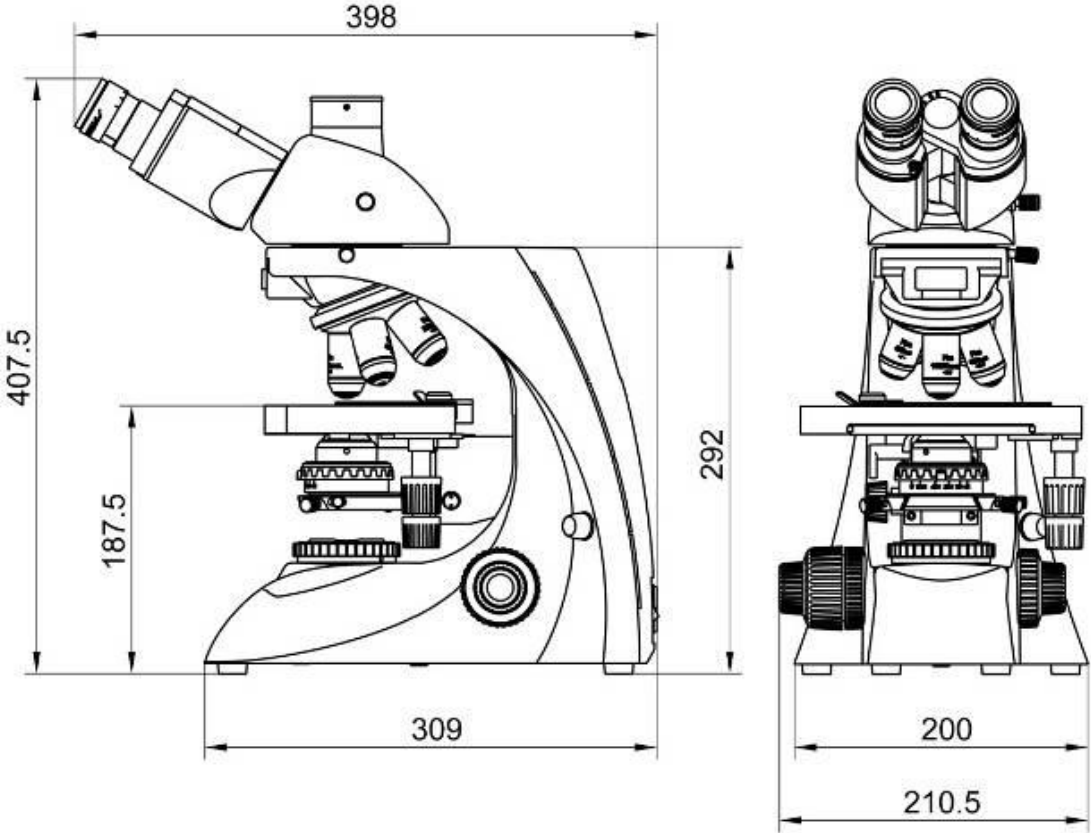
- Six-holes disk fluorescence unit, More fluorescence filters can be supplied



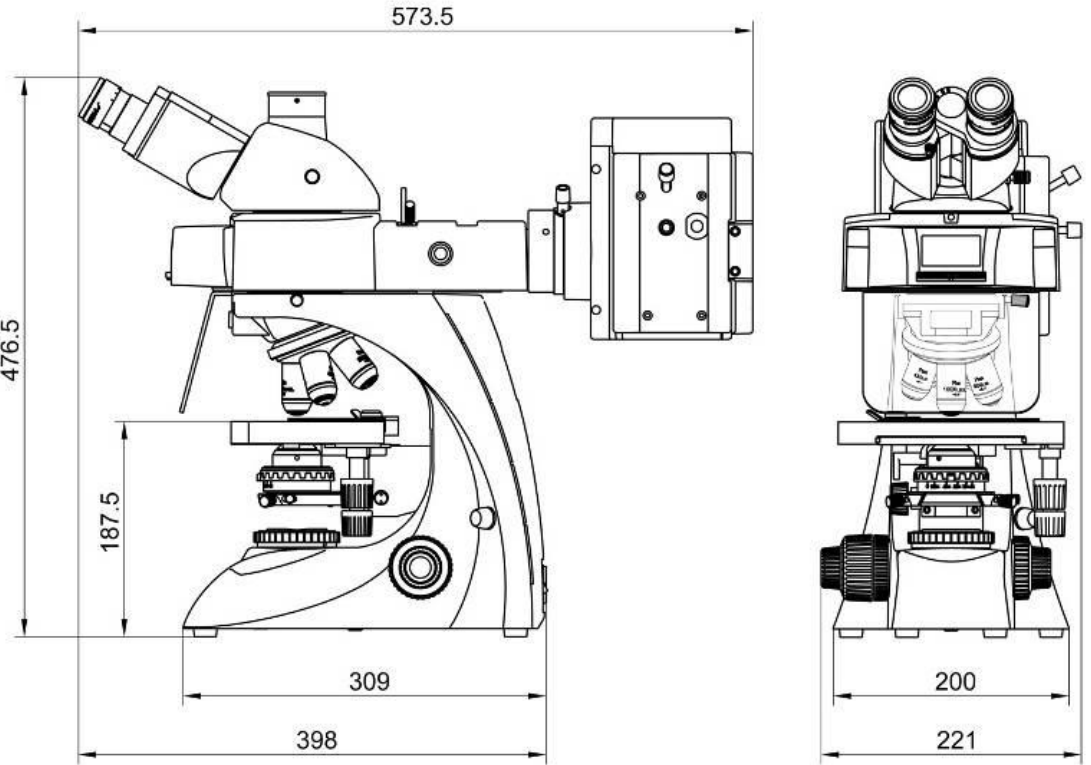
- Polarizer, analyzer for simple polarizing unit.



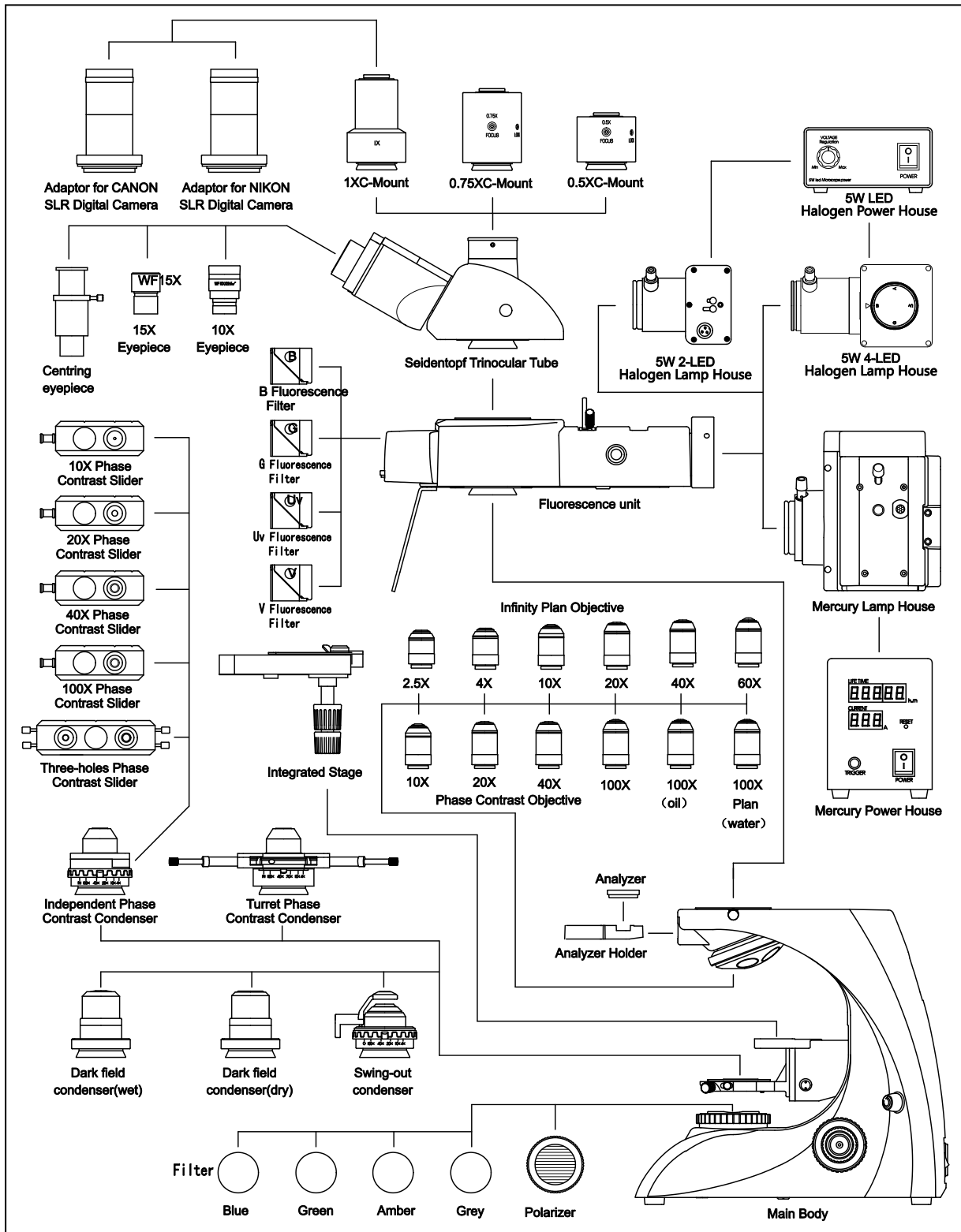
B-550 Biological Microscope Size(mm)



B-550F Fluorescence Microscope Size(mm)



B-550 Series Biological Microscope General Layout Diagram



B-550 Series Biological Microscope Outfits

Items	Specification	Outfits
Eyepiece	WF10× / 22mm (adjustable)	●●
Infinity Plan Objectives	PLAN 4× / 0.10 W.D.=12.10mm	●
	PLAN 10× / 0.25 W.D.=4.64mm	●
	PLAN 20× / 0.40(S) W.D.=2.41mm	●
	PLAN 40× / 0.66(S) W.D.=0.65mm	●
	PLAN 100× / 1.25(S, Oil) W.D.=0.12mm	●
	PLAN 2.5× / 0.07 W.D.=8.47mm	○
	PLAN 60× / 0.80(S) W.D.=0.33mm	○
	PLAN 100× / 1.15(S, W) W.D.=0.19mm	○
Seidentopf Binocular Head	Inclined 30°, rotatable 360°, Interpupillary distance:48mm-76mm	●
Seidentopf Trinocular Head	Inclined 30°, rotatable 360°, Interpupillary distance:48mm-76mm, Light distribution (both): 100:0 (100% for eyepiece) 80:20 (80% for trinocular head and 20% for eyepiece)	○
Nosepiece	Quintuple	●
Mechanical Stage	Integrated stage Stage size: 182 mm×140mm, Travel range: 77mm×52mm Two-slide holder	●
Swing Out Condenser	N.A. 0.9/0.13, Swing out with iris diaphragm.	●
Koehler Illumination	6V/30W Halogen Lamp Wide voltage input: 100V~240V Field diaphragm, center adjustable	●
Filter	Blue	●
	Green /Amber /Grey	○
C-mount	1×/0.5×/0.75×C-mount (focus adjustable)	○
Fluorescence Attachment	Epi fluorescence unit (six-hole disc media which can be fixed with Uv /V/B/G and another filters) ,100W mercury lamp.	○
	Epi fluorescence unit (six-hole disc media which can be fixed Uv /V/B/G), LED fluorescence lamp.	○
Phase Contrast Unit	Quintuple hole turret 10× /20× /40× /100× phase contrast objective	○
	Independent slot 10× /20× /40× /100× phase contrast objective	○
Dark Field Unit	Dark field condenser (dry), apply to 4×- 40× objective	○
	Dark field condenser (wet), apply to 100× objective	○
Polarizing Attachment	Analyzer / Polarizer	○

Note: "●" In Table Is Standard outfits, "○" Is Optional Accessories.

Packing Size:520mm×475mm×285mm

Gross Weight: 12 kgs

Net Weight: 10kgs