



M-140 Inverted Metallurgical Microscope

- New research and new development
- Combination with bright field, dark field, polarizing observation etc.

Widely used in metal, mineral, electronic field

RaxVision



Dark field objective, Make observation in dark & bright field.

Oversize view field eyepiece, view field up to 22mm for comfortable observation.



Oversized three-layer working stage, more choice for samples.

Light distribution (both): 100 : 0 (100% for eyepiece) ;

80 : 20 (80% for trinocular head and 20% for eyepiece)

RaxVision



Analyzer & Polarizer for simple polarizing observation

Objective specification: ("●" Is Standard outfits, "○" Is Optional Accessories.)

	Objective	N.A.	Working Distance (mm)	M-140	M-140D
Metallurgical LWD Infinity Plan Objectives	LPL 5×	0.13	16.04	●	
	LPL 10×	0.25	18.48	●	
	LPL 20×	0.40	8.35	●	
	LPL 50×	0.70	1.95	●	
	LPL 80×	0.80	0.85	○	
	LPL100× (Dry)	0.90	1.10	○	
Metallurgical LWD Infinity Plan Objectives for Bright/Dark Field	M PLAN 5× BD	0.13	16.04		●
	M PLAN 10× BD	0.25	18.48		●
	M PLAN 20× BD	0.40	8.35		●
	M PLAN 50× BD	0.70	1.95		●



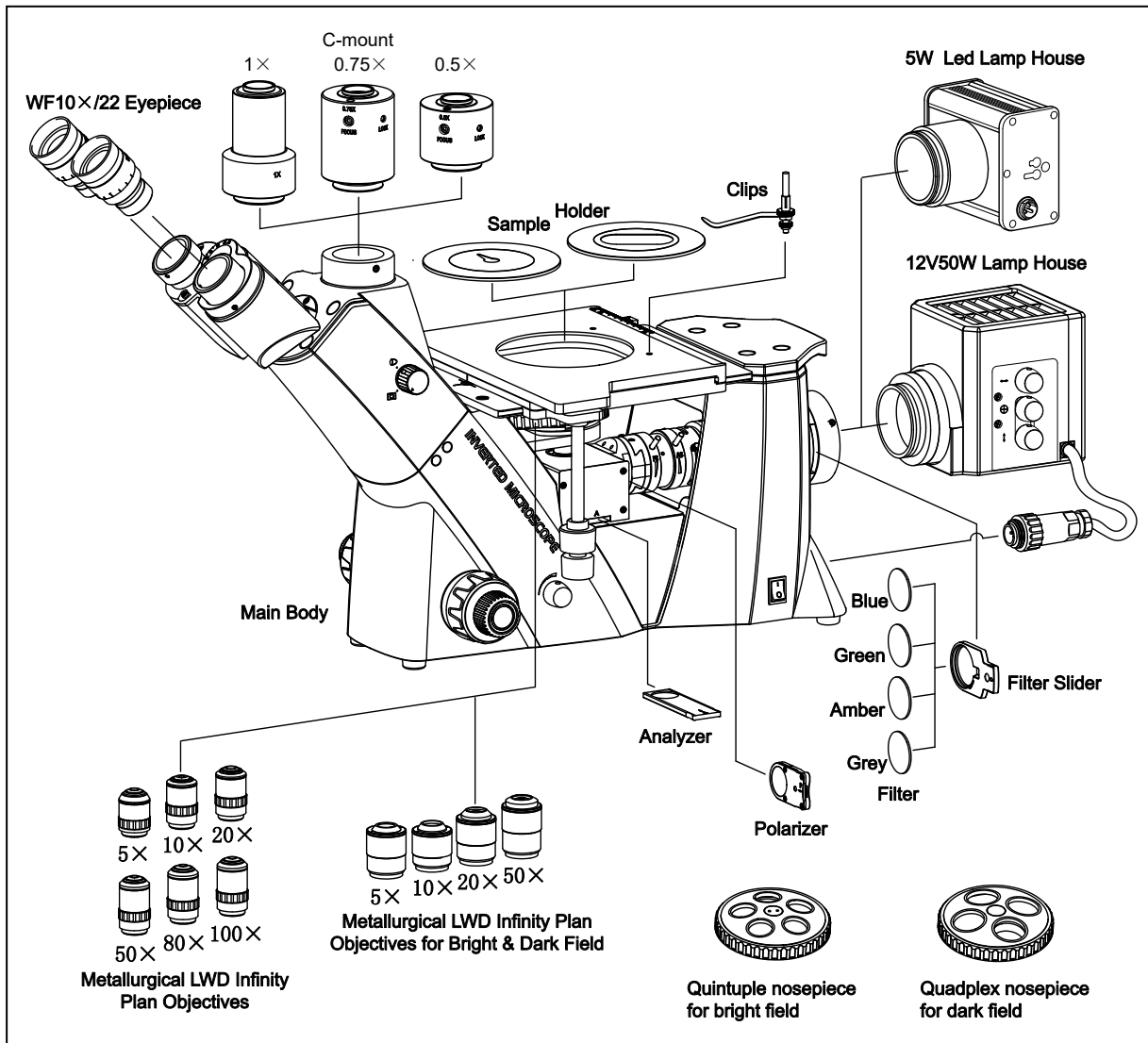
Metallurgical LWD Infinity Plan Objectives



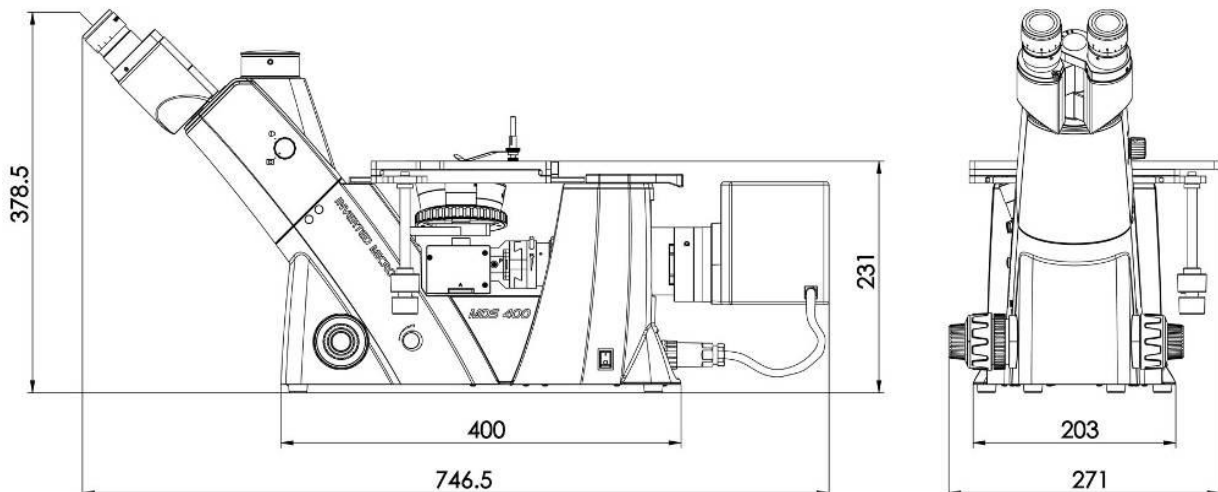
Metallurgical LWD Infinity Plan Objectives for Bright & Dark Field

RaxVision

M-140 Inverted Metallurgical Microscope General Layout Diagram



M-140 Inverted Metallurgical Microscope Size(mm)



RaxVision

M-140 Inverted Metallurgical Microscope Outfits

Item	Specification	M-140	M-140D
Eyepiece	WF10× / 22mm (adjustable)	●	●
	WF10× / 22mm (adjustable, reticule 0.1mm)	●	●
Metallurgical LWD Infinity Plan Objectives	LPL 5× / 0.13 W.D.=16.04mm	●	○
	LPL 10× / 0.25 W.D.= 18.48mm	●	○
	LPL 20× / 0.40 W.D.= 8.35mm	●	○
	LPL 50× / 0.70 W.D.= 1.95mm	●	○
	LPL 80× / 0.80 W.D.= 0.85mm	○	○
	LPL 100× / 0.90(Dry) W.D.= 1.10mm	○	○
Metallurgical LWD Infinity Plan Objectives for Bright & Dark Field	M PLAN 5× / 0.13 BD W.D.=16.04mm		●
	M PLAN 10× / 0.25 BD W.D.= 18.48mm		●
	M PLAN 20× / 0.40 BD W.D.= 8.35mm		●
	M PLAN 50× / 0.70 BD W.D.= 1.95mm		●
Seidentopf Trinocular Head	Inclined 30°, interpupillary distance: 48-76mm Light distribution (both):100: 0 (100% for eyepiece) 80:20 (80% for trinocular head,and 20% for eyepiece)	●	●
Nosepiece	Quintuple	●	
	Quadplex (specially for bright /dark field objectives)		●
Mechanical Stage	Stage size: 210 mm×180mm, Moving range:50×50mm , Scale : 0.1mm	●	●
Coaxial Coarse and Fine Focusing unit	Coarse stroke: 10mm, Fine stroke per rotation: 0.2mm, fine division 2 μm.	●	●
Polarizing Unit	Polarizer /Analyzer	●	●
Illumination	12V/50W Halogen (Input voltage: 100V~240V)	●	●
	5WLED lamp (Input voltage: 100V~240V)	○	○
Auto power on-off system	Power off automatically upon user leaving 10 minutes, power on automatically upon user approaching	○	○
Filter	Blue	●	●
	Green/ Amber/ Grey	○	○
C-mount	1×/0.75×/0.5×C-Mount (focus adjustable)	○	○
Adaptor for Digital Photograph	Use for CANON / NIKON / OLYMPUS etc.	○	○

Note: "●"In Table Is Standard outfits, "○" Is Optional Accessories.

Packing Size: 660mm×590mm×325mm

Gross Weight: 17 kgs

Net Weight: 12.5 kgs