



## B-200 Series Biological Microscope

- Excellent OTICS infinity optical system, outstanding resolution and definition.
- Original integrated stand for excellent stability.
- Unique aspheric illumination system, provide bright and comfortable lighting.
- Various colorful matching looking can provide lively environment and happy mood.
- Various accessories for upgrading.
- Back handle and observing hole convenient for carry and operation.
- Alternative color for main body.



Rackless(Integrated) stage

# RaxVision



B-200FLED Fluorescence Microscope



B-200F Fluorescence Microscope

- Wire winding device convenient for carry and storage (optional)



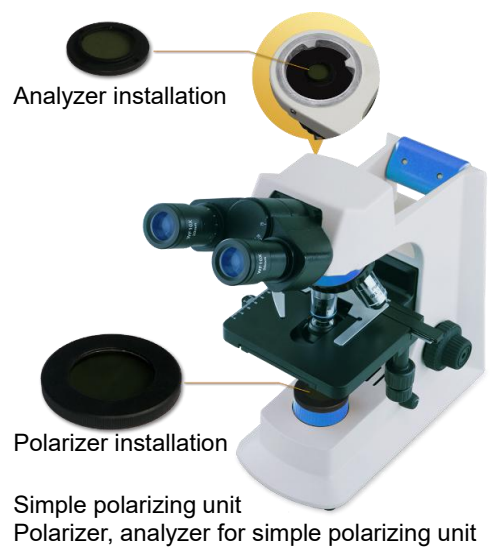
- Phase contrast unit, Independent phase contrast unit (apply to infinity optical system)



- Polarizer, analyzer for simple polarizing unit.
- Dry Dark Field Condenser



- Mirror



## B-200 Series Biological Microscope Outfits

Items	Specification	B-201	B-202	B-203	B-204
Eyepiece	WF 10X-18mm	●●			
	WF 10X- 20mm		●●	●●	●●
Finity Achromatic Objective	4X	●			
	10X	●			
	40X(S)	●			
	100X/1.25 (Oil) (S)	●			
Finity Plan Objective	4X		●		
	10X		●		
	40X/0.65 (S)		●		
	100X/1.25 (Oil) (S)		●		
Infinity E-Plan Objectives	4X			●	
	10X			●	
	40X (S)			●	
	100X (Oil) (S)			●	
Infinity Plan Objectives	4X				●
	10X				●
	40X (S)				●
	100X (Oil) (S)				●
	Plan 20X			○	○
	Plan 60X (S)			○	○
Seidentopf Head	Binocular Inclined 30°,Rotatable 360°, Interpupillary Distance 48-75mm	●	●	●	●
Seidentopf Trinocular Head	Inclined 30°,Rotatable 360°, Interpupillary Distance 48-75mm, Light Distribution 20:80	○	○	○	○
	3.2/ 5 MP Pixel Digital Head 1/2" CMOS color sequential scanning. SB2.0 Light Distribution: 20:80	○	○	○	○
Nosepiece	Quadplex , Quintuple (Optional)	●	●	●	●
Mechanical Stage	Stage Size: 145 mm×140mm Travel: 76mmX52mm, Scale: 0.1mm Coaxial Coarse and Fine Focusing Knobs Travel Range: 26mm, Scale: 2um Two Slide Holder	●	●	●	●
	Rackless(Integrated) stage, size: 140×135mm,Travel range: 75×35mm, Two-slide holder	○	○	○	○
Condenser	Abbe N.A. 1.25(Iris Diaphragm) 3W-LED Illumination Systems	●	●	●	●
Illumination	12V/20W Halogen Lamp	○	○	○	○
	6V/30W Halogen Lamp	○	○	○	○
Field Diaphragm		○	○	○	○
Dark Field Condenser	Dry, apply to 4X - 40X objective	○	○	○	○
Polarizing Attachment	Analyzer/Polarizer	○	○	○	○
Independent phase contrast unit	10X /20X /40X /100X			○	○
Fluorescence Attachment	Epi fluorescence unit ( six-hole disc media which can be fixed with Uv /V/B/G and another filters) ,100W mercury lamp.			○	○
	Epi fluorescence unit ( six-hole disc media which can be fixed Uv /V/B/G), 5W-LED fluorescence lamp.			○	○
Filter	Blue /Green /Yellow	○	○	○	○
C-Mount	1X/ 0.5X/0.75X (Focus adjustable)	○	○	○	○
Mirror		○	○	○	○
Wire winding device		○	○	○	○

Note: "●" In Table Is Standard outfits, "○" Is Optional Accessories.

Packing Size: 390mm×280mm×450mm

Gross Weight: 7.5 kgs

Net Weight: 6.5 kgs

## B-203D320/500 Digital Microscope Characteristics

- Dustproof, moisture-proof, built-in chip.
- Light distribution 20:80, eyepiece observation synchronized with digital imaging without switching.
- Built-in 3MP/5MP digital camera system, 1/2" CMOS color sequential scanning.
- USB2.0 connection without external power supply.
- Available for WINDOWS system.



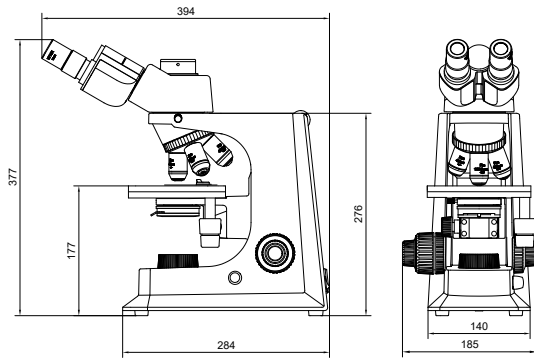
## B-203D Digital Microscope Outfits

Items	Specification	B-203D320	B-203D500
Eyepiece	WF 10X-20mm	●●	●●
	4X	●	●
Infinity EPlan Objective	10X	●	●
	40X/0.65 (S)	●	●
	100X/1.25 (Oil) (S)	●	●
Seidentopf Binocular Head	Inclined 30°, Rotatable 360°, Interpupillary Distance: 50-75mm	●	●
Nosepiece	Quadplex	●	●
Mechanical Stage	Stage Size: 145mm × 140mm		
	Travel: 76mm × 52mm, Scale: 0.1mm, Two Slide Holder	●	●
Condenser	Abbe N.A. 1.25 (Iris Diaphragm)	●	●
	LED Illumination Systems	●	●
Illumination	6V/20W Halogen Lamp	○	○
	6V/30W Halogen Lamp	○	○
Image Systems		3.2MP Pixel	5 MP Pixel

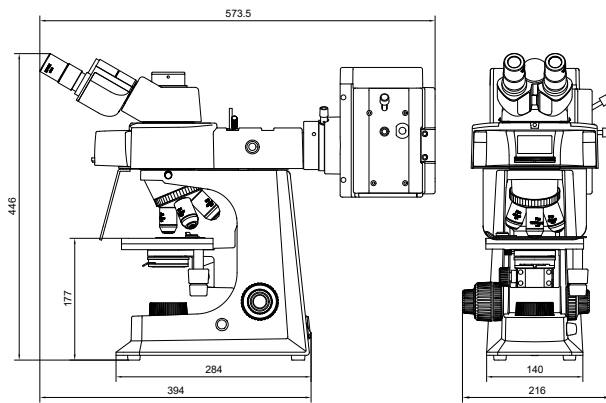
Note: "●" In Table Is Standard outfits, "○" Is Optional Accessories.

Packing Size: 570mm × 275mm × 450mm      Gross Weight: 8 kgs      Net Weight: 7 kgs

B-200 Series Biological Microscope Size(mm)



B-200F Fluorescence Microscope Size(mm)



B-203D320/500 Digital Microscope Size(mm)

