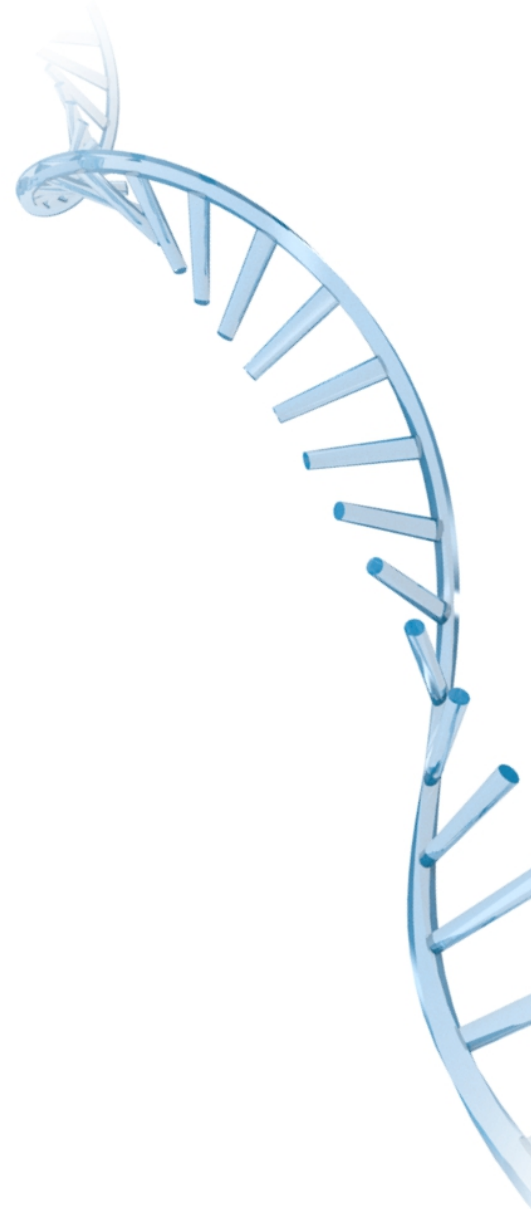




USB2.0 CMOS Eyepiece Camera

## C-e Series



**RaxVision**

## C-e Series

**C-e Series** is the Raxvision luxurious USB2.0 CMOS eyepiece camera with high frame buffers. It adopts ultra high performance CMOS sensor as the image-picking device using USB2.0 as the data transfer interface. It is widely used for microscope image capture and analysis.

- Microscope eyepiece camera with 23.2 diameter and compact size
- Easy to extend to C or CS- Mount camera with high quality lens(optional)
- Auto white balance and auto-exposure
- USB2.0 interface ensuring high speed data transmission
- Advanced video & image processing application software
- Supports Windows/Linux/OSX multiple platform
- Custom programmable with SDK provided

Order Code	Sensor & Size(mm)	Pixel( $\mu$ m)	G Sensitivity Dynamic Range SN Ratio	FPS/Resolution	Binning	Exposure
C-500e	5.0M/Aptina(C) 1/2.5"(5.70x4.28)	2.2x2.2	NA	2@2592x1944 3@2048x1536 5@1600x1200 7.5@1280x1024	N/A	Auto
C-300e	3M/Aptina(C) 1/2.7" (4.506x3.38)	2.2x2.2	NA	3 @2048x1536 5 @1600x1200 7.5 @1280x1024	N/A	Auto
C-200e	2M/Aptina(C) 1/3.2"(4.48x3.36)	2.8x2.8	NA	5@1600x1200 7.5@1280x1024 7.5@1280x960 20@800x600	N/A	Auto
C-130e	1.3M/Aptina(C) 1/3"(4.60x3.70)	3.6x3.6	NA	7.5@1280x1024 12.5@1024x768 12.5@800x600	N/A	Auto
C-35e	0.35M/Aptina(C) 1/4"(3.58x2.69)	5.6x5.6	NA	30@640x480	N/A	Auto

## C-e Series

### OTHER HARDWARE CONFIGURATION

Spectral Range	380-650nm (with IR-filter)
White balance	Auto
Color Rendering Technique	NA
Capture/Control API	Native C/C++, Directshow, Twain
Recording System	Still Picture and Movie
Cooling System*	Natural

### OPERATING ENVIRONMENT

Operating Temperature	-10°C~ 50°C
Storage Temperature	-20°C~ 60°C
Operating Humidity	30~80%RH
Storage Humidity	10~60%RH
Power Supply	DC 5V over PC USB Port

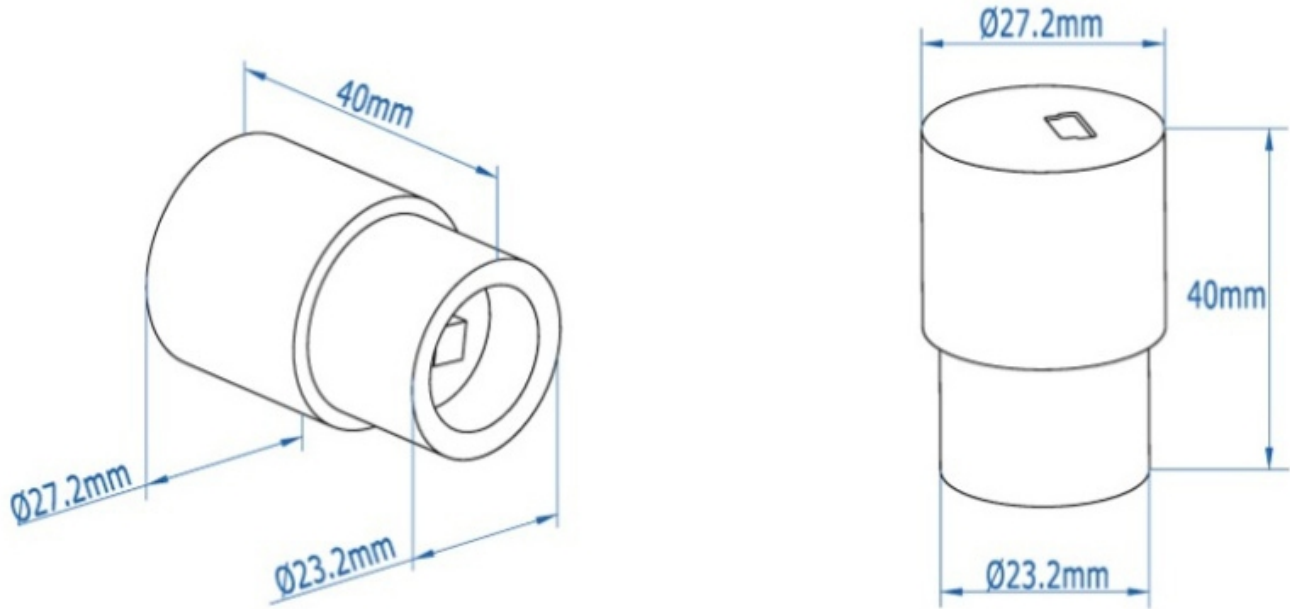
### SOFTWARE ENVIRONMENT

Operating System	Support Microsoft Windows XP / Vista / 7 / 8 (32 & 64 bit) OS X (Mac OS X), Linux
------------------	--

PC Requirements	CPU: Equal to Intel Core2 2.8GHz or Higher Memory: 2GB or More USB port: USB2.0 High-speed Port Display: 17" or Larger CD-ROM
-----------------	---

## C-e Series

### Dimension for C-e Camera



### Packing Information



## C-e Series

### Standard Camera Packing List

A	Carton L:52cm W:32cm H:33cm (50pcs, 12~17Kg/ carton), not shown in the photo
B	Gift box L:14.5cm W:9.5cm H:6.0cm (0.15~0.16Kg/ box)
C	C-E series USB2.0 eyepiece camera
D	High-Speed USB2.0 A male to mini B 5-pin male gold-plated connectors cable /1.5m
E	CD (Driver & utilities software, Ø8cm)

### Optional Accessory

F	C-Mount Adapter Housing:108027(HS502)
G	108015(Dia.23.2mm to 30.0mm Ring)/Adapter rings for 30mm eyepiece tube
H	108016(Dia.23.2mm to 30.5mm Ring)/ Adapter rings for 30.5mm eyepiece tube
I	108017(Dia.23.2mm to 31.75mm Ring)/ Adapter rings for 31.75mm eyepiece tube
J	Calibration kit 106011/TS-M1(X=0.01mm/100Div.); 106012/TS-M2(X,Y=0.01mm/100Div.); 106013/TS-M7(X=0.01mm/100Div., 0.10mm/100Div.)